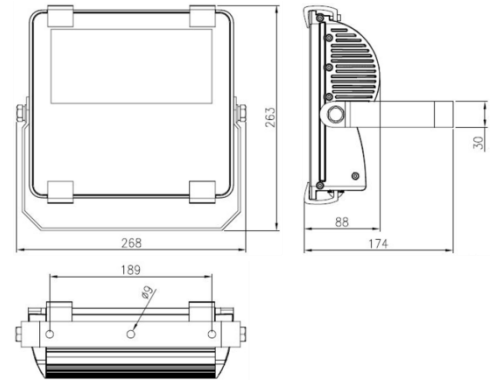


Synergy LED Flood Light 50 W / 1-10V DIM
Order Code: 850114300

Features

- Dimmable flood light with LED light source, complete with built-in driver to suit, pre wired and ready to install
- Easy waterproof installation with included plugs
- Exchangeable lighting source
- "Ultra Robust" module, single LED's damage doesn't affect other unit's current;
- Patented aluminum heat sink structure; High quality aluminum processing technique
- Ergonomic light distribution to achieve uniform illuminating effect.
- 3 years warranty.

Electrical Data

System Power	55 W
Working environment:	-40°C-45°C
Driver type:	CC
Input voltage:	90-305 V AC
Power factor:	≥0.9
Protection Class	IP 65
Dimmable	Yes / 1-10 V

Lighting distribution curve

Light source:	24 x PowerLED
LED Power:	50 W
Efficiency:	approx. 100 lm/W
Colour Temperature CCT:	4000 K
CRI:	Ra 70±5
LED Life time (L70):	>50,000h
Beam:	85° x 135° / 60° x 60°

Technical data

Dimensions:	H: 263 mm W: 268 mm D: 88 mm
Material:	Aluminium Alloy
Weight:	4 kg
Colour:	White finish

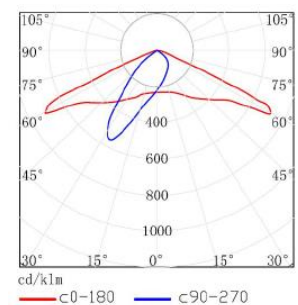
Manufactured to

 CE
RoHS

Installation & Exchange


The included IP67 connectors make the installation and exchange very easy.

For an LED lighting source exchange please contact us directly, the exchange only takes minutes for each fixture.



85° x 135°

Contact data

IBL Lighting GmbH
 Christinenstr. 11
 40880 Ratingen
 Germany
 Tel: (+49) 02102- 94 20 66 0
 Fax: (+49) 02102- 94 20 66 6
 web: www.ibl.eu
 email: info@ibl.eu